

**Bushing Data:**

Rated Voltage	550	kV
Phase to-earth Voltage	318	kV
Dry Lightning Impulse I, 2/50µs	1550	kV
Wet Switching Impulse	1050	kV
Wet Power frequency AC	660	kV
Routine test Imin dry 50Hz	750	kV
Rated Current	2500	A
Creepage Distance	10130	mm
Mass	1455	kg

**Ordering Data:**

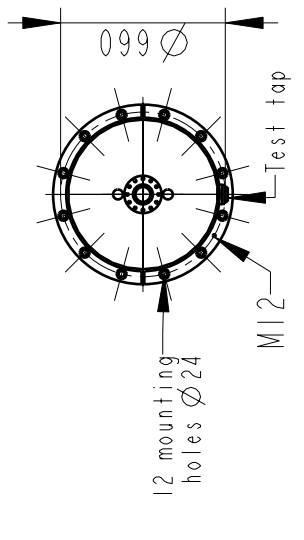
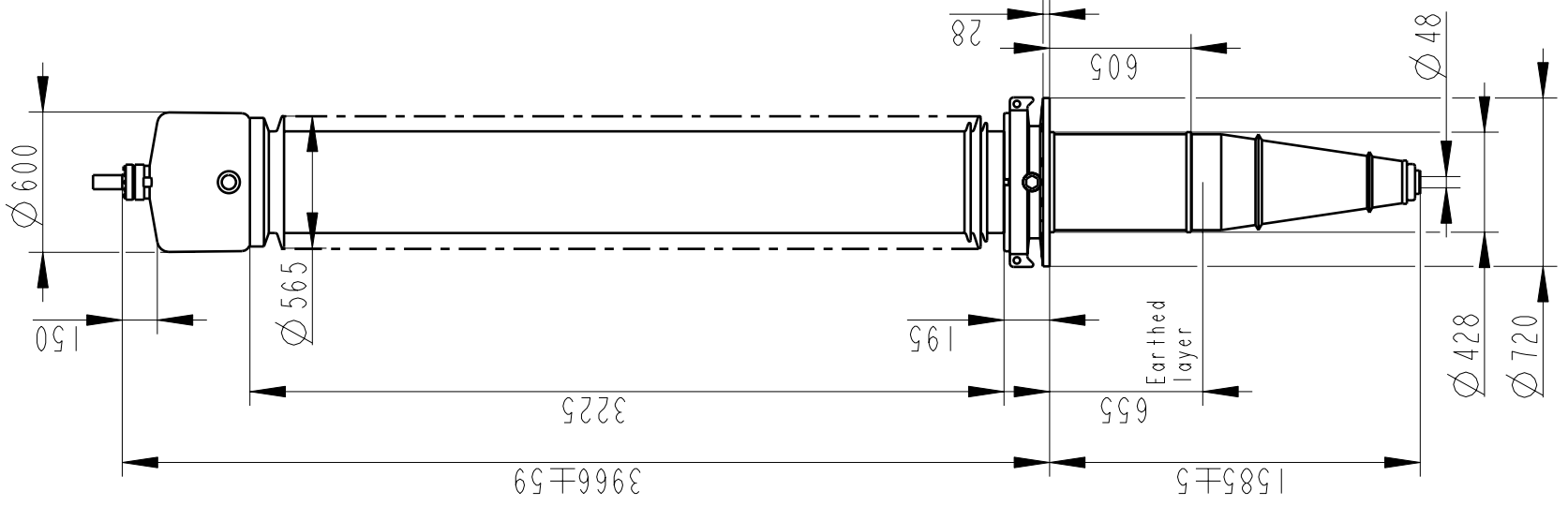
<b>BUSHING</b>	COLOUR AIR INSULATOR	
LF121072 -A / -AA	BROWN / LIGHT GREY	
<b>OUTER TERMINAL</b>	H2 (mm)	D2 (mm)
LF170 073-A Al	125	60
LF170 073-B Cu	125	60
LF170 073-G Cu/Ag	125	60
OTHER TYPES ON REQUEST		
<b>END-SHIELD</b>		
LF170 046-V EPOXY INSULATED		
LF170 046-VP INSULATED WITH 3 mm PRESSBOARD		

**DRAW ROD SYSTEM**

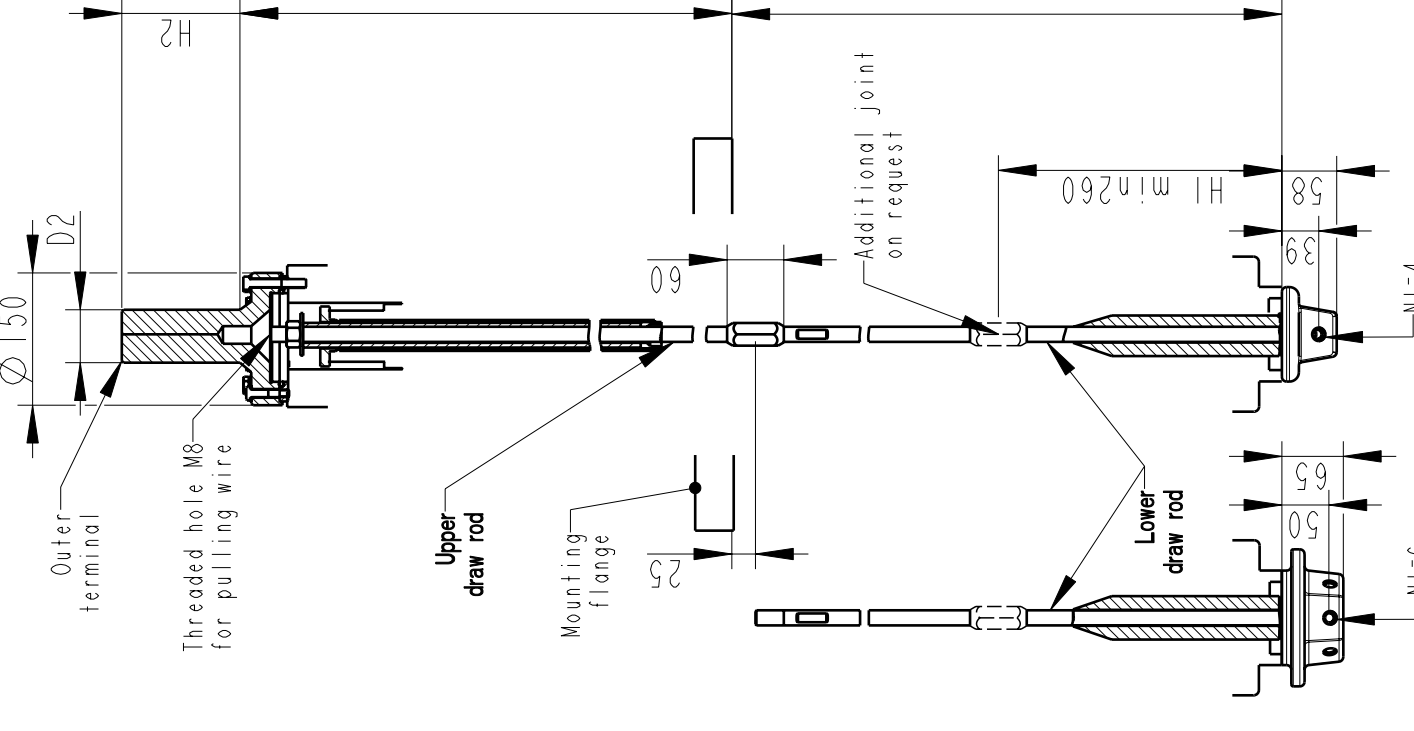
LF170 059 LOWER DRAW ROD WITH NI=4 OR NI=6	D3 (mm)	D9 (mm)	Cond. area (mm <sup>2</sup> )	Current (A)	IEEE
LF170 057 UPPER DRAW ROD	45	45	-	-	-
	40	45	600	1600	1360

\*) WITH PILOT HOLE D=5

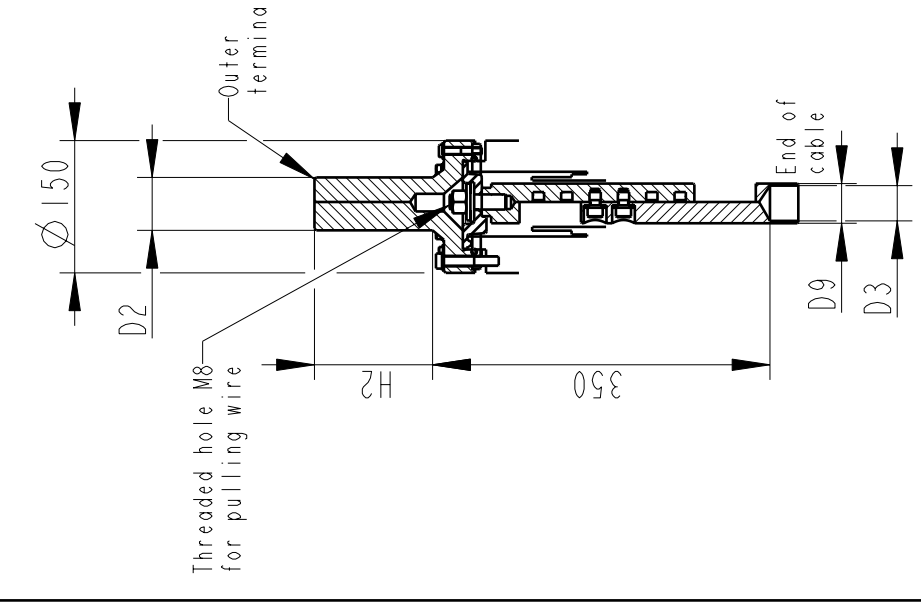
<b>ABB Components</b>		Lutskia, Sweden		
Urdu	No.	kV I	A	50/60 Hz
U	kV SI	kV AC	mm D	kV
M	kg L	pf	Tanδ	;
C1	pf	Tanδ	;	;
C2	pf	Tanδ	;	;



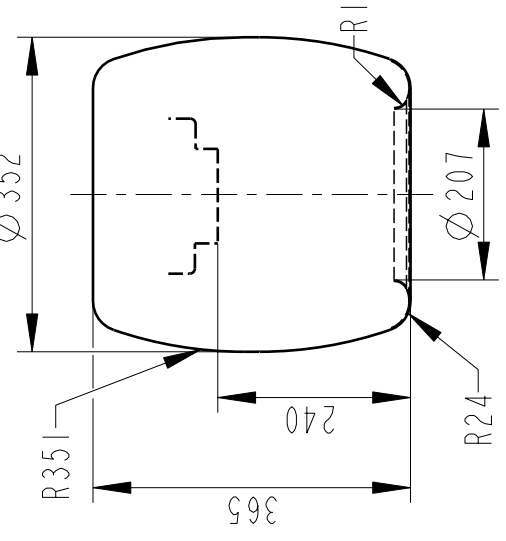
**DRAW ROD SYSTEM / OUTER TERMINAL**



**MINIAL**



**END SHIELD**



Based on	Reg. No.	Title
Prepared	Responsible department	GOE 1550-1050-2500-0.6
Lövnord	COM/BK 0022	
Approved	Take over department	
Johansson	Database	
Design engineering review		
Gutman		
ABB ABB Components		Document No. 2751369-33
Language		82
Page		I(1)